

NOVOS 7 RS485 BACnet Casambi

Room operating unit temperature, optional with humidity | CO2 | VOC

thermokon[®]
HOME OF SENSOR TECHNOLOGY

Datasheet

Subject to technical alteration
Issue date: 03.04.2024 • A140



CASAMBI



» APPLICATION

Room control unit with RS485 Modbus and Casambi radio interface for intuitive lighting control of Casambi ecosystem participants with up to four integrated sensors for recording room temperature, humidity, CO2 and VOC. Scenes are started, luminaires are switched or the shading and air-conditioning functions are controlled via Modbus using a 3.5" display with a rotary pushbutton. A monitoring function visualises the measured values of the integrated sensors in colour. The simple configuration via the Casambi app enables device-specific settings or the configuration of scenes and lighting functions with Casambi radio.

» TYPES AVAILABLE

Room operating unit temperature + optional humidity, CO2, VOC – active BUS

- NOVOS 7 Temp RS485 BACnet Casambi
- NOVOS 7 Temp_rH RS485 BACnet Casambi
- NOVOS 7 CO2 Temp_rH RS485 BACnet Casambi
- NOVOS 7 VOC Temp_rH RS485 BACnet Casambi
- NOVOS 7 CO2+VOC Temp_rH RS485 BACnet Casambi

» SECURITY ADVICE – CAUTION

The installation and assembly of electrical equipment should only be performed by authorized personnel.



The product should only be used for the intended application. Unauthorised modifications are prohibited! The product must not be used in relation with any equipment that in case of a failure may threaten, directly or indirectly, human health or life or result in danger to human beings, animals or assets. Ensure all power is disconnected before installing. Do not connect to live/operating equipment.

Please comply with

- Local laws, health & safety regulations, technical standards and regulations
- Condition of the device at the time of installation, to ensure safe installation
- This data sheet and installation manual

» PRODUCT TESTING AND CERTIFICATION



Declaration of conformity

The declaration of conformity of the products are available on our website
<https://www.thermokon.de/direct/en-gb/categories/novos-7>

» MOUNTING ADVISE ROOM SENSORS

The Accuracy of the room sensors are influenced by the technical specifications as well as the positioning and the installation type.

During Assembly:

- Seal mounting box (if present).
- Installation type, air draught, heat source, radiation heat or direct sunlight can affect the measurement.
- Bulding material specific properties of the installation place (*brick-, concrete-, partition wall, cavity wall, ...*) can affect the measurement.

Assembly not recommendet in...

- Air draught (e.g.: close to windows / doors / fans ...)
- Near heating sources,
- Direct sunlight
- Niches / between furniture / ...

» BUILD-UP OF SELF-HEATING BY ELECTRICAL DISSIPATIVE POWER

Sensors with electronic components always have a dissipative power, which affects the temperature measurement of the ambient air. The dissipation in active temperature sensors shows a linear increase with rising operating voltage. This dissipative power has to be considered when measuring temperature. In case of a fixed operating voltage ($\pm 0,2 V$) this is normally done by adding or reducing a constant offset value.

Thermokon transducers can be operated with variable operating voltages. The transducers are set at the factory with a reference operating voltage of $24 V =$. At this voltage, the expected measuring error of the output signal will be the least. Other operating voltages, can cause a measurement deviation changing power loss of the sensor electronics.

A recalibration can be carried out directly on the unit or via a software variable (app or bus).

Remark: Occurring draught leads to a better carrying-off of dissipative power at the sensor. Thus temporally limited fluctuations might occur upon temperature measurement.

» APPLICATION NOTICE FOR HUMIDITY SENSORS

At regular environmental condition, it is recommended to calibrate the sensor annually to check the compliance with the accuracy required in the application. The following conditions can damage the sensor element or lead in long term to loss of the specified accuracy:

- Mechanical stress
- Contamination (e.g. dust / fingerprints)
- Aggressive chemicals
- Ambient conditions (e.g. condensation on measuring element)



Do not touch the sensor elements!

Re-calibration or exchange of the sensor element are not subject of the general warranty.

» INFORMATION ABOUT SELF-CALIBRATION FEATURE CO2

All gas sensors are subject to drift. The degree of drift is dependent on the use of components and product design. In addition, the following environmental conditions, among others, can accelerate/ favor the aging and wear of the sensors:

- Mechanical stress (also due to temperature fluctuation)
- Contamination (dust / fingerprints e.g.)
- Abrasive chemicals
- Environmental influences (high humidity / condensation on measuring element)

An internal self calibration function with dual channel technology compensates the caused drift. Thermokon sensors are for permanent use (e.g. hospitals).

» INFORMATION ABOUT INDOOR AIR QUALITY CO2

EN 13779 defines several classes for indoor air quality:

Category	CO ₂ content above the content in outdoor air in ppm		Description
	Typical range	Standard value	
IDA1	<400 ppm	350 ppm	Good indoor air quality
IDA2	400.. 600 ppm	500 ppm	Standard indoor air quality
IDA3	600..1.000 ppm	800 ppm	Moderate indoor air quality
IDA4	>1.000 ppm	1.200 ppm	Poor indoor air quality

» APPLICATION NOTICE FOR AIR QUALITY SENSORS VOC

Volatile organic compounds (VOC) are gaseous and vaporous substances of organic origin in the air. VOC-sensors monitor the significant part of humanly olfactory sensed air quality. (e.g. body odour | tobacco smoke | odour of materials, furniture, carpets, paint, adhesives, ...)

The VOC-Value is an application-specific indication for air quality and doesn't provide any information about individual components of VOC

A VOC sensor oxidises the organic molecules that collide with it, which results in changing the resistance of the semiconductor.

Any contact with the sensitive sensors must be avoided and will invalidate the warranty.

The VOC Sensor is factory calibrated and can be calibrated via NOVOSapp subsequently, if needed.

» TECHNICAL DATA

Measuring values <i>(optional)</i>	temperature, optional humidity CO2 VOC
Network technology	RS485 BACnet, Fail-safe Biasing required Casambi (Evolution) 2,4 GHz
Power supply ¹	24 V = ($\pm 10\%$) or 24 V ~ ($\pm 10\%$) SELV <i>With alternating voltage, the correct polarity must be ensured.¹</i>
Power consumption	typ. 2 W (24 V =) 4 VA (24 V~)
Measuring range temp	-50..+50 °C 0..+50 °C -15..+35 -20..+80 °C, default setting: 0..+50 °C, optionally configurable via Thermokon NOVOSapp or BUS
Accuracy temperature	$\pm 0,5K$ (typ. at 21 °C)
Inputs	1x input for floating contact
Control functions Modbus	occupancy signalling, blinds UP/DOWN/SET, setup scenarios, fan stages, setpoint, ECO function, measured value display & history
Casambi functions	light ON/OFF/DIM, colour temperature, colour control RGBW, setup scenarios
Display	TFT 3,5", 320x240 px
Enclosure	PC V0, enclosure colour: pure white, black or aluminium, design cover pure white, black or aluminium
Protection	IP30 according to DIN EN 60529
Cable entry	rear entry, breaking points bottom, drill mark top
Connection electrical	tool-free mountable spring terminal, max. 1,5 mm ²
Ambient condition	0..+50 °C, max. 85% non-condensing, with CO2 sensor operating temperature range 0..+50 °C
Mounting	surface mounted on flush-mounting box ($\varnothing=60$ mm) or to be mounted flat onto the surface using screws, base part can be mounted and wired separately

¹ When several BUS devices are supplied by one 24 V AC voltage supply, it is to be ensured that all "positive" operating voltage input terminals (+) of the field devices are connected and all "negative" operating voltage input terminals (-) (=reference potential) are connected (in-phase connection of field devices). In the case of reversed polarity at one field device, a supply voltage short-circuit would be caused by that device.

The consequential short-circuit current flowing through this field may cause damage to it. Therefore, pay attention to correct wiring.

» Humidity (optional)

Measuring range humidity <i>(optional configurable)</i>	relative humidity 0..100% rH	Enthalpy 0.85 KJ/kg	absolute humidity 0.50 0..80 g/m ³ ,	dew point 0..+50 -20..+80 °C,
	configurable via Thermokon NOVOSapp or BUS			
Accuracy humidity	$\pm 2\%$ between 10..90% rH (typ. at 21 °C)			

» CO2 (optional)

Measuring range CO2	0..2000 0..5000 ppm (configurable via Thermokon NOVOSapp or BUS)
Accuracy CO2	$\pm(50$ ppm +3 % of reading), (typ. at 21 °C, 50% rH, 1015 hPa)
Calibration	self-calibration dual channel
Sensor	NDIR (non-dispersive, infrared)
Display <i>(optional)</i>	Display backlight to indicate air quality (traffic light function "TLF")

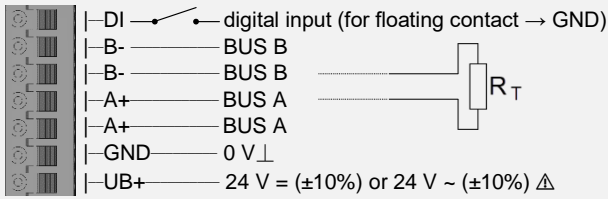
» VOC (optional)

Measuring range VOC	0..100 %
Sensor	VOC sensor (heated metal oxide semiconductor)

» CONNECTION PLAN

Room operating unit – active RS485 BACnet

Novos 7 RS485 BACnet Casambi



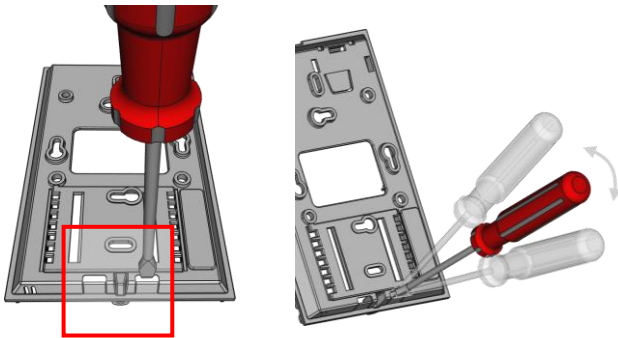
With alternating voltage, the correct polarity must be ensured!
Please note the technical data.

Don't forget the BUS termination (120 Ω) at the last device of the line!
(Not included in delivery)

» MOUNTING ADVICES

Cable entry

There are predetermined breaking points for 2 optional cable entries on the underside of the base plate.



Please make sure that the device is de-energized if you want to install it!

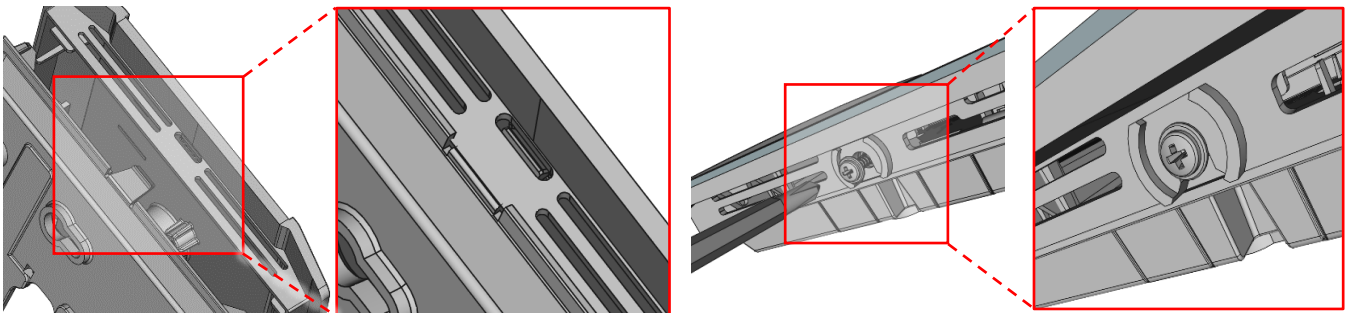
The installation can be performed on the flat wall surface or on a flush-mounted box. A representative place should be selected. Sunshine and draft, e.g. in the installation tube should be avoided, so that the measurement result is not falsified. Seal the end of the installation tube.

- For wiring, the upper part of the device must be removed from the base plate. Base plate and upper part are detachably connected to each other by means of locking lugs.
- The mounting of the base plate on the flat wall surface is done with rawplugs and screws.
- Finally, the device is attached to the base plate and fixed with the screw.

Housing open / close

Snap the upper part of the housing into the locking lug on the upper side

Fix the upper part of the housing on the underside with the screw included in the delivery.



» NOTES ON DISPOSAL



The crossed-out wheellie bin symbol indicates that the product or removable batteries must not be disposed of with household or commercial waste. Within the EU, you are legally obliged to dispose of the product separately and appropriately in accordance with the national laws of your country. Alternatively, please contact your supplier or Thermokon Sensortechnik GmbH. Further information can be found at: www.thermokon.com



BACnet Objects, PICS und BIBBs

NOVOS-RS485 BACnet Interface

A detailed description of the BACnet interface can be found under the following link: → [Download](#)

» FUNCTIONAL DESCRIPTION - MAIN SCREEN NOVOS 7

Main screen
The display on the main screen of the NOVOS room control unit can be freely parameterised. All icons and notifications can be switched ON and OFF. Set point can also be overwritten.

Status messages
At any time, any text message (max. 24 characters) can be displayed on the main screen for status reporting or notification.

Room temperature
The current temperature in the room can be shown on the display.

Favourit buttons 2-5
Below the edge of the screen, there are 4 freely parameterizable capacitive keys. The corresponding symbols are displayed in the footer of the main screen.


Headline
In the header of the main screen, various icons can be shown or hidden as desired.

Date / time
The time and date are in the center of the main screen.

Set point
The currently set setpoint of the room control unit is displayed below the room temperature.

Rotary / push button (Favourite button 1)
The push/turn control is used to navigate through the extensive submenus. In addition, a favorites function can be defined on the pushbutton.

If the turn control is operated, the function submenu (Carousel) is called up.



» MENU OVERVIEW (CAROUSEL)

Headline
equivalent to the functions such as ECO or room reservation, the corresponding symbol is displayed or changed.

Scene
For controlling up to 8 different scenes.

Measured values
Submenu for displaying internal or external measured values.

Settings
Menu for various settings
Default access password: 2030

Display OFF
Switches the display off. Pressing any key again activates the display.

Back button symbol
Back to the main menu.

Shading
For controlling up to 8 shading circuits.

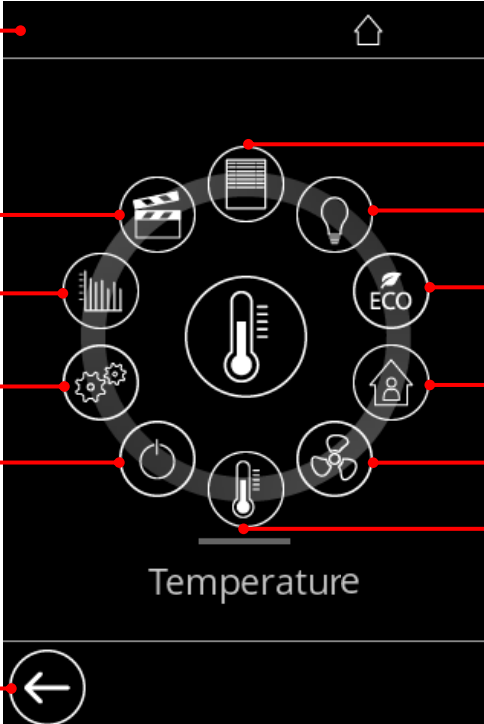
Light
Control of up to 8 light circuits.

ECO
ECO ON/OFF

Room occupancy
occupied/unoccupied

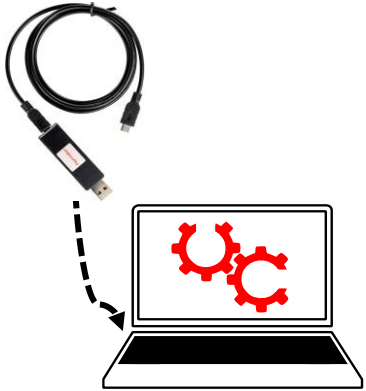

Fan stages
For controlling up to 5 fan speeds.

Temperature
Submenu for setpoint adjustment.

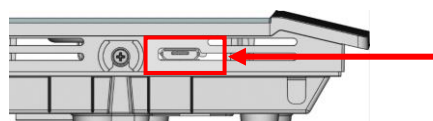


» CONFIGURATION

The configuration is performed in powered state. The following options are available for configuring the device:

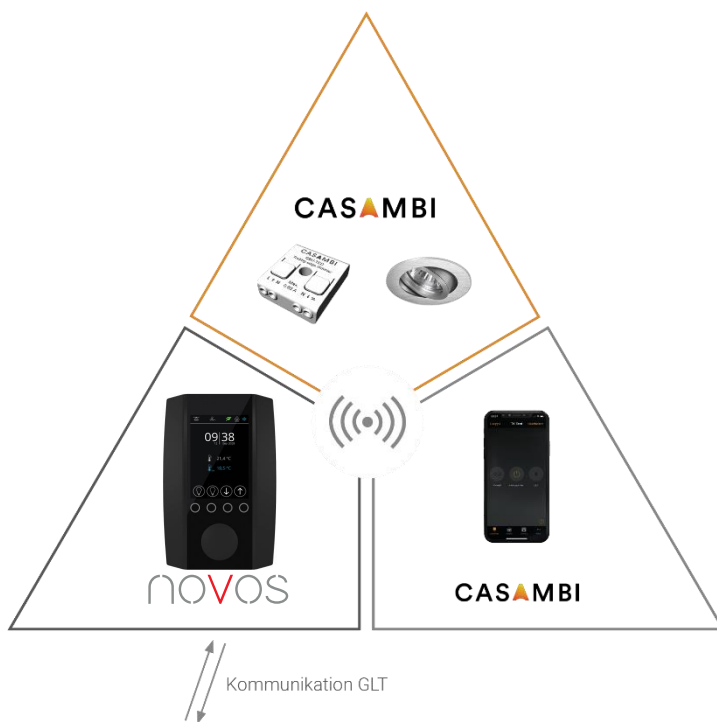
Device connection	Micro-USB	Micro-USB
Configuration-adapter	<p>Thermokon USB-Interface</p> 	<p>USB-Bluetooth Dongle</p> 
Configurations-software	<p>PC/Notebook with uConfig software</p> <p><i>Partly parameterization with Thermokon software uConfig, via Thermokon USB-Interface* (Art.-No.: 597838)</i></p>	<p>Smartphone/Tablet with CASAMBI App</p> <p><i>Parameterization with mobile device via bluetooth and CASAMBI App.</i></p>

*Commercially available Bluetooth dongles or USB to Micro-USB adapter cables are not compatible. You need a mobile device that supports at least Bluetooth version 4.1. The configuration app with the corresponding instructions can be downloaded from the Google Play Store or the Apple App Store.



Position of the micro USB port, see bottom of the device, for configuration with Bluetooth dongle or Thermokon USB-Interface

» CASAMBI KOMMUNIKATION



Ein NOVOS 7 Casambi dient als Schnittstelle zwischen einem Building Management System und einem gekoppelten Casambi Netzwerk.

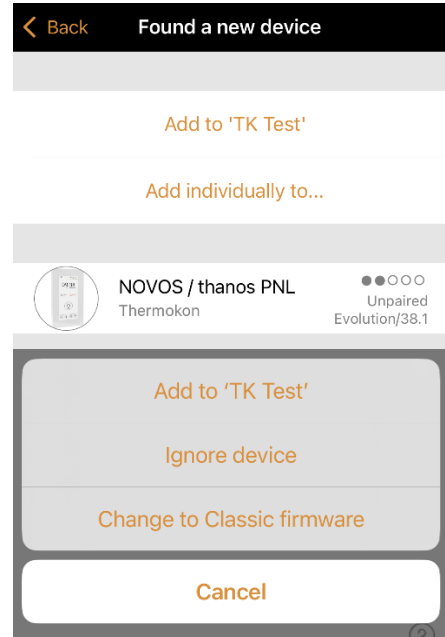
Sämtliche Informationen die über Casambi vom NOVOS 7 empfangen wurden, werden an die GLT weitergegeben, sodass der aktuelle Zustand jederzeit in der Gebäudesteuerung eingesehen und verwendet werden kann.

Über Bus Kommunikation an das NOVOS 7 gesendete Befehle für Casambi Funktionen, werden über Casambi Funk an das Casambi Netzwerk ausgegeben.



» **CASAMBI INBETRIEBNAME**

- Gerät mit Spannungsversorgung verbinden. Anschlussplan beachten!
- Casambi App öffnen (iOS App Store / Android Play Store)
Wird ein ungekoppeltes Gerät gefunden, wird vorgeschlagen das Gerät einem Netzwerk hinzuzufügen.
- NOVOS 7 zu Netzwerk hinzufügen, bei Bedarf vorab in gewünschtes Casambi Netzwerk wechseln.
Mit der Schaltfläche „back“ kann auf der übergeordneten Ebene das Netzwerk unter „my networks“ gewechselt werden.
- Das Gerät erscheint in der Rubrik Gateways.
- Parameter des NOVOS 7 Casambi konfigurieren



» **CASAMBI PARAMETER**

PARAMETER	
Einstellungen	d12l >
Favoriten	0000 >
G1 Auswahl	Gruppe wählen >
G1 Name	G1 Name >
G1 Typ	30112740 >

Einstellungen (Parameter LTBC)

- L = Sprache**
 D – Deutsch
 E – Englisch
 X – keine Änderung
- T = Zeitsynchronisierung**
 0 – keine Synchronisation
 1 – Zeitsynchronisation von Casambi zum Endgerät
- B = Verhalten**
 1 – externe Steuerung (über BUS konfigurierbar)
 2 – Standalone/Panel (nur über CASAMBI konfigurierbar)
- C = Farbschema Display**
 x Hintergrund Farbe / Text Farbe
 0 Keine Änderung
- B** schwarz / weiß
W weiß / schwarz
- G** grün / weiß
L blau / weiß
- R** rot / weiß

Beispiel Einstellungen: d12l = Deutsch | Zeitsynchronisation | Standalone/Panel | Hintergrund blau / Textfarbe weiß

PARAMETER	
Einstellungen	d12l >
Favoriten	0000 >
G1 Auswahl	Gruppe wählen >
G1 Name	G1 Name >
G1 Typ	30112740 >

Favoriten* (ABCDE)

- A Favoritentaste 1
 B Favoritentaste 2
 C Favoritentaste 3
 D Favoritentaste 4
 E Favoritentaste 5
- Standardwert: 0 - keine
- Bsp.: 0b300 – keine / Szene 2 / Gruppe 3

PARAMETER	
Einstellungen	d12l >
Favoriten	0000 >
G1 Auswahl	Gruppe wählen >
G1 Name	G1 Name >
G1 Typ	30112740 >

Gx Auswahl / Name
 (Auswahl / Eingabefeld)

- Auswahl** – Casambi Gruppe
Name – Gruppen Benennung

Favoriten

1	Gruppe 1
2	Gruppe 2
3	Gruppe 3
4	Gruppe 4
5	Gruppe 5
6	Gruppe 6
7	Gruppe 7
8	Gruppe 8

a	Szene 1
b	Szene 2
c	Szene 3
d	Szene 4
e	Szene 5
f	Szene 6
g	Szene 7
h	Szene 8

i	Anwesenheit
j	Eco
k	Menü Klima
l	Menü Licht
m	Menü Jalousie
n	Menü Szenen
o	Menü Monitoring
p	Menü Lüfter (Novos 7)

q	Beschattung 1
r	Beschattung 2
s	Beschattung 3
t	Beschattung 4
u	Beschattung 5
v	Beschattung 6
w	Beschattung 7
x	Beschattung 8

PARAMETER	
Einstellungen	d12l >
Favoriten	0000 >
G1 Auswahl	Gruppe wählen >
G1 Name	G1 Name >
G1 Typ	30112740 >

Gx Typ
 (Lichtgruppen Konfiguration)

- ITDSMnMx
 I – Icon
 T – Typ
 D – Dimm Funktion
 S – Schrittgröße
 Mn / Mx – Minimum / Maximum Farbtemperatur

Szene.Symbol	11111111 >
S1 Auswahl	Szene wählen >
S1 Name	S1 Name >
S2 Auswahl	Szene wählen >
S2 Name	S2 Name >

- Szene Symbol
 (Szenen Symbol Konfiguration)*
 1. Stelle = Symbol Szene 1
 2. Stelle = Symbol Szene 2...

Sx Auswahl / Name
 (Auswahl / Eingabefeld)

- Auswahl** – Szene
Name – Szenen Benennung

Gx Typ Parameter Auflistung

I 0 – Universal, 1 – Spot, 2 – Kassette, 3 – Stehlampe (default)

T 0 – Slider (default), 1 – RGBW Farbpicker, 2 – Farbtemperaturpicker

D 0 – nicht dimmbar, 1 – dimmbar (default)

S 0 – 1, 1 – 1 (default), 2 – 2, 3 – 3, 4 – 4, 5 – 5, 6 – 10, 7 – 15, 8 – 20 (in %)

Mn Eingabewert (2 Ziffern) multipliziert mit 100 = Minimum Kelvin Farbtemperatur (Color Temperature)
(Bsp.: Mn = 27 -> CTmin = 27 * 100 = 2700K (default))Mx Eingabewert (2 Ziffern) multipliziert mit 100 = Maximum Kelvin Farbtemperatur (Color Temperature)
(Bsp.: Mx = 40 -> CTmax = 40 * 100 = 4000K (default))*Beispiel GxTyp: 30112740 = Stehlampe | Slider | dimmbar | 1 | minimum Kelvin Farbtemperatur 2700k | maximum Kelvin Farbtemperatur 4000k***Szenen Symbol Parameter Liste**

0 Arbeiten (Aktentasche)

1 Präsentation (Leinwand)

2 Kino (Bildschirm)

3 Party (Cocktailglas)

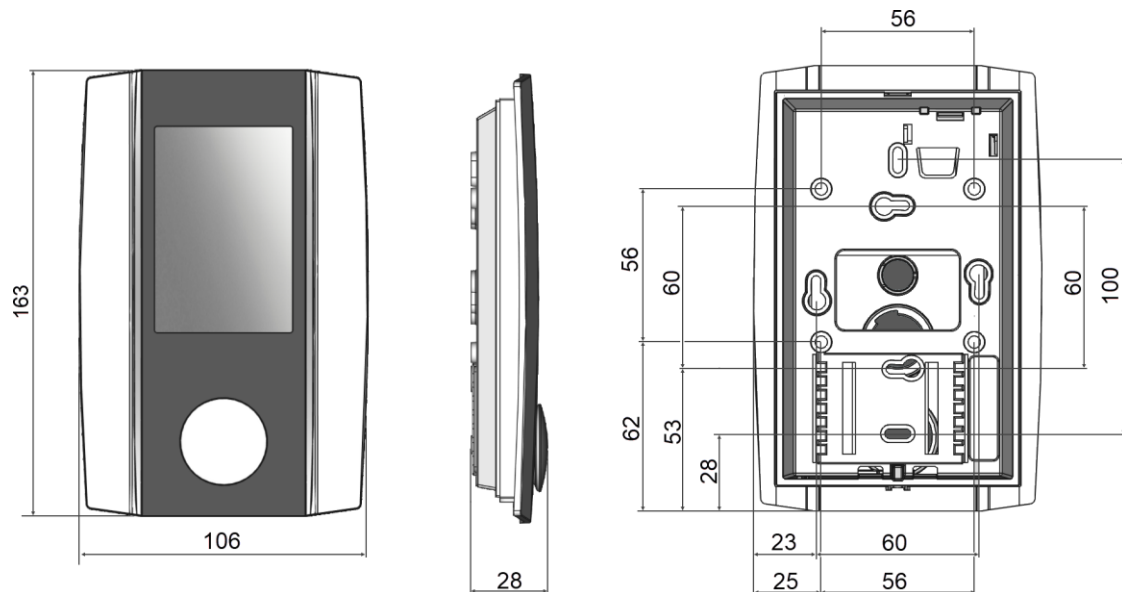
4 Schlafen (Bett)

5 Essen (Servierglocke)

6 Nicht stören (Schloss)

7 Reinigung (Staubsauger)

8 Szene (Filmklappe)

*Beispiel Szenen Symbol: 02437000 = Szene 1: Arbeiten | Szene 2: Kino | Szene 3: Schlafen | Szene 4: Party | Szene 5: Reinigung***» DIMENSIONS (MM)****» ACCESSORIES (OPTIONAL)**

Rawplugs and screws (2 pcs. each)

PSU-UP24 – flush mount power supply 24 V (AC Input: 100..240 V ~ | DC Output 24 V = 0,5 A)

Item No. 102209

Item No. 645737

Thermokon USB-Interface

RS485 Biasing Adapter

Item No. 597838

Item No. 811378