

Datasheet

Subject to technical alteration
Issue date: 08/14/2020 • A110



» APPLICATION

The brightness sensor for ceiling installations detects indoor and outdoor light levels in living rooms, offices or at workplaces depending on the type of prism. The sensor is adapted to the spectral sensitivity of the human eye and serves together with control systems for an on-demand light or sun protection control. The remote sensor is connected to the enclosure via conventional RJ45 cables, making it easy to install in hardly accessible places. If two sensors are used, the individual values, the mean, minimum or maximum value can be provided through both output signals (configurable via Thermokon USEapp).

» TYPES AVAILABLE

Ceiling sensor light – active BUS

LDF+ RS485 BACnet L1500 straight prism
LDF+ RS485 BACnet L1500 diagonal prism

Dual ceiling sensor light – active BUS

LDF+ Dual RS485 BACnet L1500 straight prism
LDF+ Dual RS485 BACnet L1500 diagonal prism

» SECURITY ADVICE – CAUTION



The installation and assembly of the device should only be performed by authorized personnel.

The product should only be used for the intended application. Unauthorized modifications are prohibited! The product must not be used in relation with any equipment that in case of a failure may threaten, directly or indirectly, human health or life or result in danger to human beings, animals or assets. Ensure all power is disconnected before installing. Do not connect to live/operating equipment.

Please comply with

- Local laws, health & safety regulations, technical standards and regulations
- Condition of the device at the time of installation, to ensure safe installation
- This data sheet and installation manual

» NOTES ON DISPOSAL



As a component of a large-scale fixed installation, Thermokon products are intended to be used permanently as part of a building or a structure at a pre-defined and dedicated location, hence the Waste Electrical and Electronic Act (WEEE) is not applicable. However, most of the products may contain valuable materials that should be recycled and not disposed of as domestic waste. Please note the relevant regulations for local disposal.

» CONFIGURATION



The Thermokon bluetooth dongle with micro-USB is required for communication between USEapp and USE-M / USE L (Item No.: 668262). Commercial bluetooth dongles are not compatible.

Application-specific reconfiguration of the devices can be performed using the Thermokon USEapp. The configuration can be performed only when the device is powered.



The configuration-app and the app description can be found in the Google Play Store or in the Apple App Store.



» APPLICATION NOTICE



The housing cover must be completely closed in order to ensure the accuracy and reproducibility of the measured values during a test or service log via USEapp.

The Bluetooth dongle snaps into the socket easily. When removing, please fix the plug-in card (option PCB) so that it is not unintentionally pulled out.

» MOUNTING ADVICES

The ceiling flush mounted sensor is installed in a 26 mm diameter hole.

It is important to mount the light sensor in a suitable position for daylight regulation.

It should be positioned where an average daylight level will be reached. (center of the room or in the vicinity of the light control to be measured). The sensor should not be positioned too close to window surfaces or too far in the room. Ideally, the sensor should be positioned over the measuring surface, such as the work surface of a desk. In contrast to the straight prism, the version with oblique prism can be individually positioned in the room. The measurement area should preferably have a medium reflectance. Reflecting objects such as glass or polished metal surfaces should not be present. The influence of extraneous light sources, eg lights, windows, skylights must be excluded or reduced as much as possible

» **TECHNICAL DATA**

| | | |
|------------------------------|---|---|
| Measuring values | light | |
| Output voltage | 1x/2x 0..10 V or 0..5 V (adjustable via jumper; live-zero configuration via Thermokon USEapp), min. load 10 kΩ | |
| Network technology | RS485 BACnet MS/TP | |
| Power supply | 15..35 V = or 19..29 V ~ SELV | |
| Power consumption | typ. 0,6 W (24 V =) 1,5 VA (24 V ~) | |
| Measuring range light | 0..200 Lux 0..1000 Lux (default) 0..2 kLux 0..10 kLux 0..20 kLux 0..50 kLux, selectable at the device | |
| Accuracy light | ±5% of measuring range | |
| Sensor | Ambient light sensor with precise optical filtering appropriate to the human eye | |
| Prism (optional) | acrylic glass clear, straight | acrylic glass clear, diagonal |
| Enclosure | enclosure USE-M, PC, pure white | |
| Protection | IP65 according to EN 60529 | |
| Cable entry | M25, for wire max. Ø=0.28 in., seal insert for fourfold cable entry | |
| Connection electrical | Mainboard removable plug-in terminal, max. 14AWG | Plug-in card removable plug-in terminal, max. 16AWG |
| | Sensor wire length= 4.9 ft. (1,5 m) (default), max. 33 ft. (10 m), plug RJ45 | |
| Ambient condition | -22..+158 °F, max. 85% rH short term condensation | |

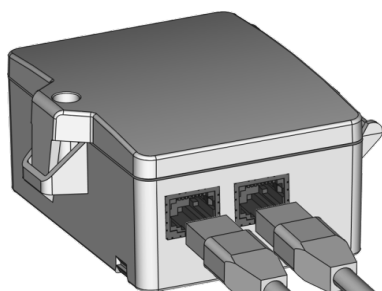
» **PRODUCT TESTING AND CERTIFICATION**



Declaration of conformity

The declaration of conformity of the products can be found on our website <https://www.thermokon.de/>.

» **APPLICATION**



Two RJ45 sockets are integrated, instead of permanently connected cables. This allows 2 light sensors to be connected with a shielded RJ45 cable of up to 10 m in length.

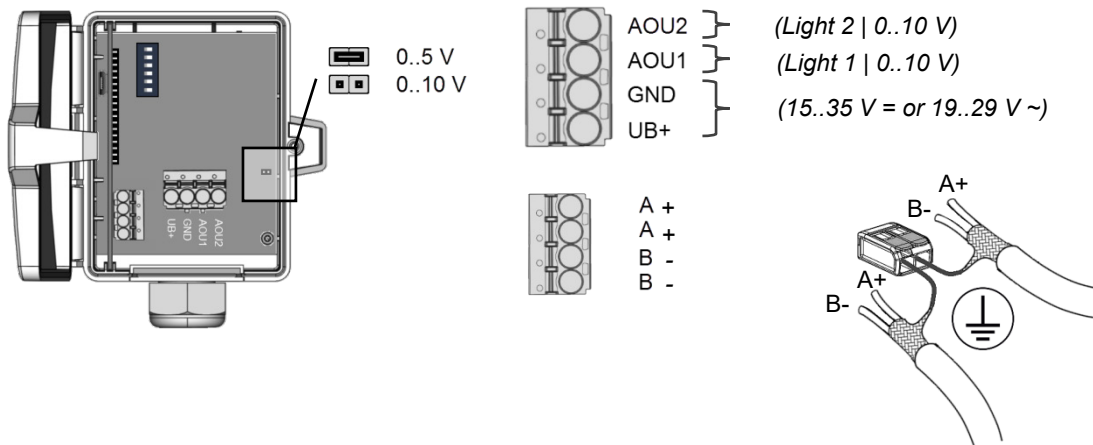
To properly detect the sensors, they must be connected before the unit is powered up.

- Sensor 2 (Output light 2)
- Sensor 1 (Output light 1)

» **CONNECTION PLAN**

If the RS485 cable is looped through, connect both cable shields using the enclosed 2-pol. Connect terminal as shown.

LDF+ RS485 BACnet



» **DIP SWITCH CONFIGURATION**

Measuring range - DIP 1..3

| | |
|---|---|
| <p>#0 (factory default) SI = 0..1 kLux IMP = 0..100 fc</p> | <p>#1 SI = 0..0,2 kLux IMP = 0..20 fc</p> |
| <p>#2 SI = 0..2 kLux IMP = 0..200 fc</p> | <p>#3 SI = 0..10 kLux IMP = 0..1000 fc</p> |
| <p>#4 SI = 0..20 kLux IMP = 0..2000 fc</p> | <p>#5 SI = 0..50 kLux IMP = 0..5000 fc</p> |

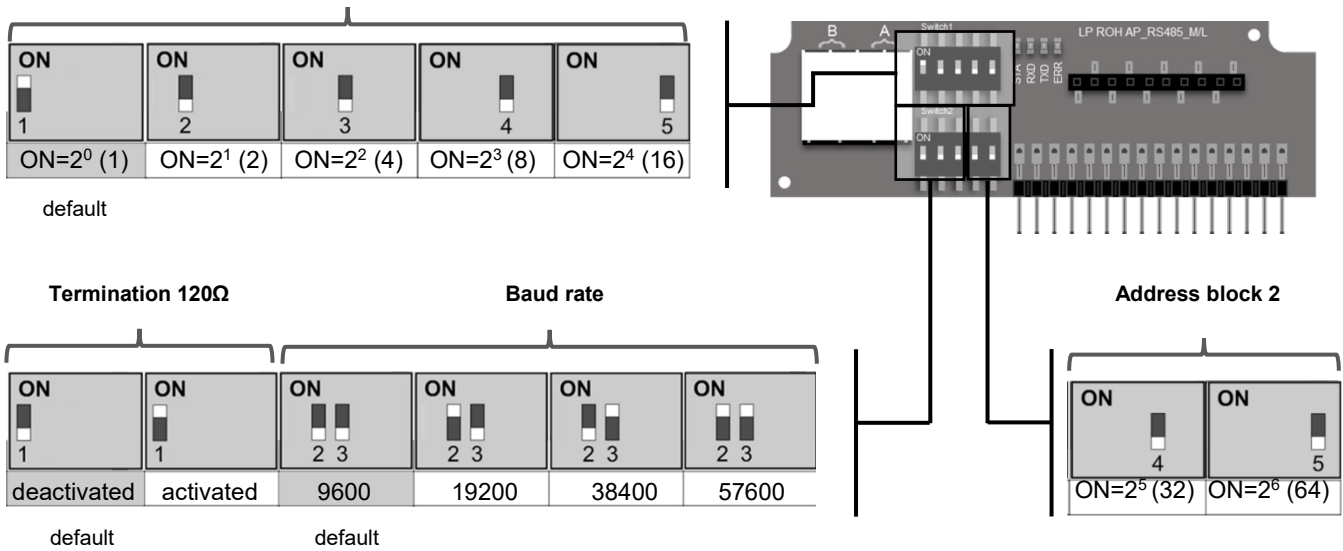
DIP 4, 5

| |
|-------------------------------|
| <p>#0 reserved</p> |
|-------------------------------|

System of units - DIP 6

| | |
|---|---------------------------|
| <p>#0 (factory default) SI</p> | <p>#32 IMP</p> |
|---|---------------------------|

Address block 1



Object AV-38 = 1 (Unit SI)

| Object | Access | Description | COV Increment | Resolution / Einheit | |
|--------|--------|----------------|---------------|----------------------|-----|
| AI-12 | R | illumination 1 | 0..999.999 | SI | Lux |
| Ai-13 | R | illumination 2 | | SI | Lux |

object AV 38 = 2 (Unit Imperial)

| Object | Access | Description | COV Increment | Resolution / Einheit | |
|--------|--------|----------------|---------------|----------------------|----|
| AI-12 | R | illumination 1 | 0..999.999 | Imperial | fc |
| Ai-13 | R | illumination 2 | | Imperial | fc |

The BACnet address of the device is set binary coded in the range of 1 ... 127 via 7 dip-switches. (the address 0 is reserved and cannot be selected).

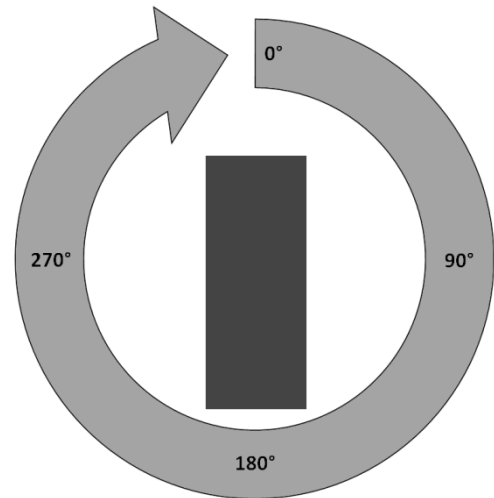
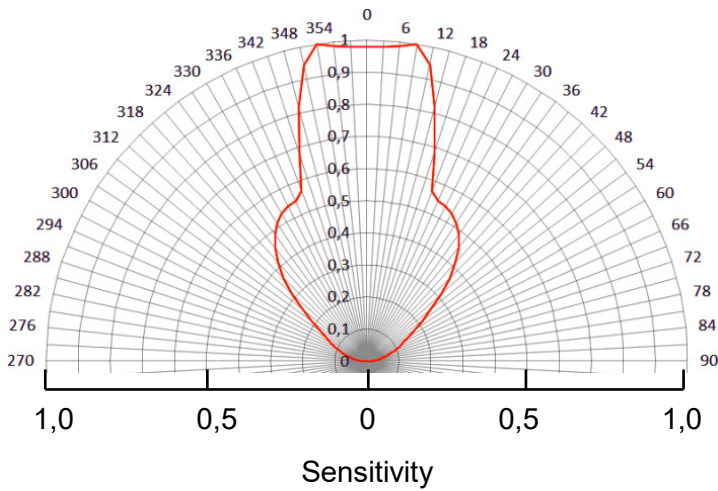


BACnet Objects:
USE-RS485 BACnet interface

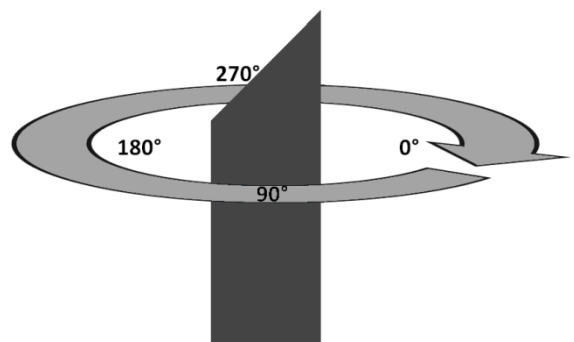
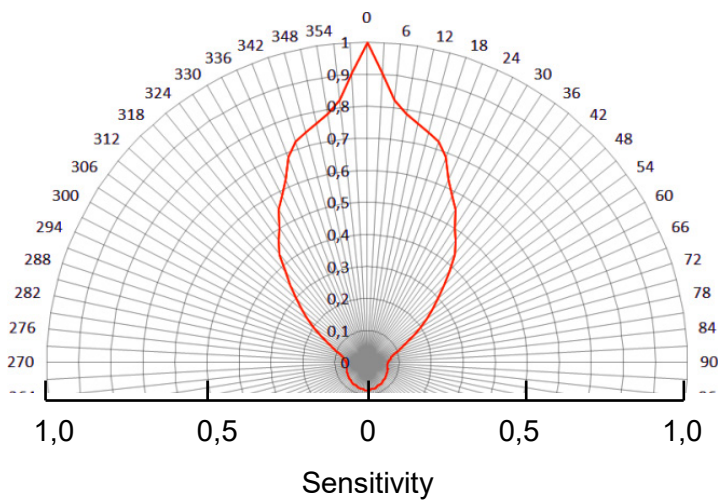
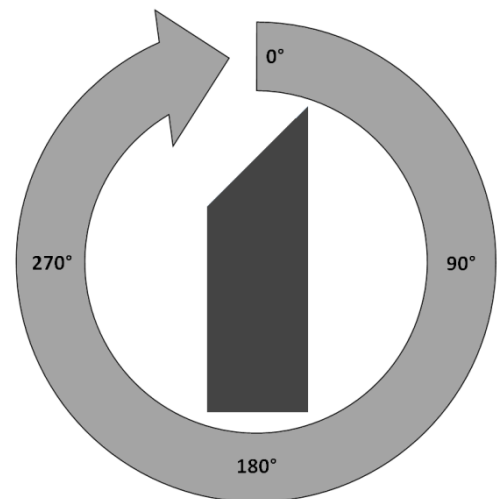
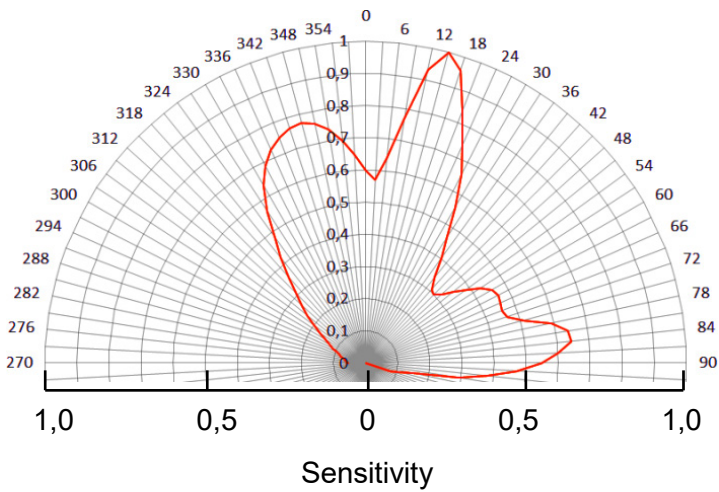
A detailed description of the BACnet interface can be found at the following link:
→ [Download](#)

» **ANGLE-DEPENDENT SENSITIVITY**

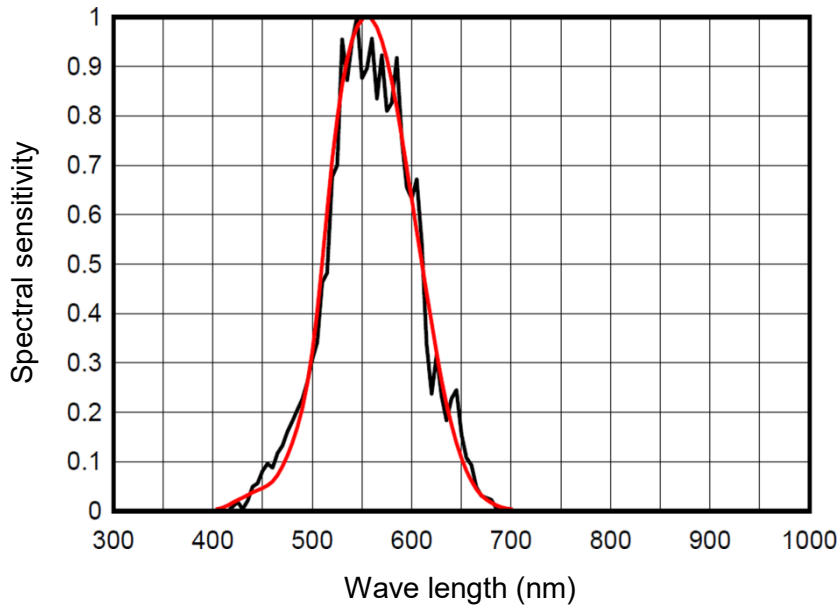
Sensitivity straight prism



Sensitivity diagonal prism



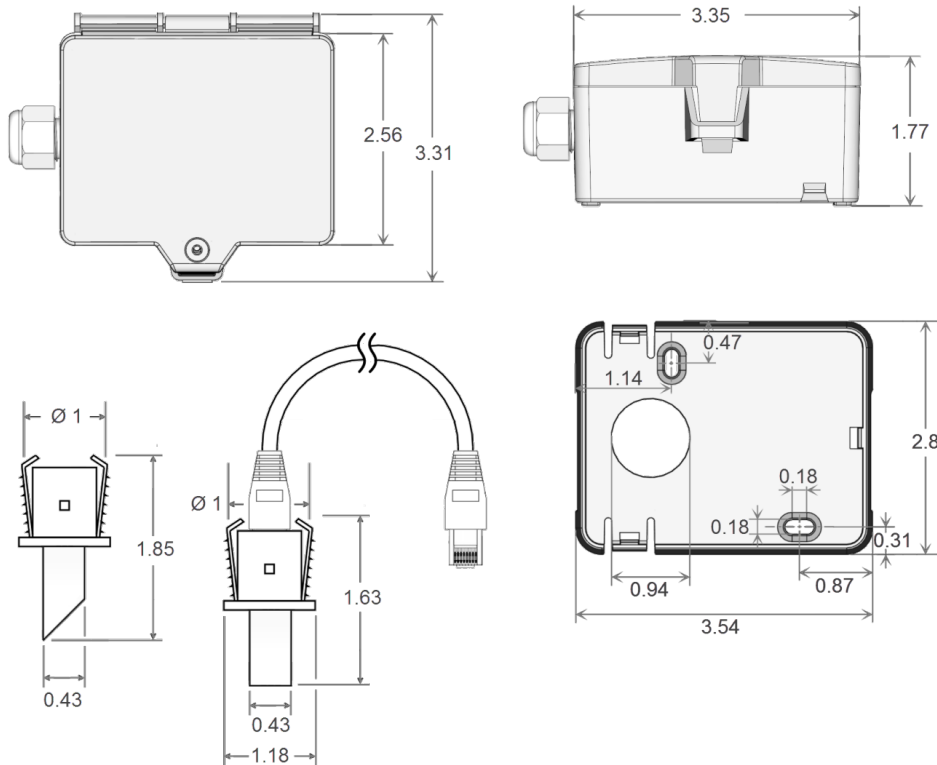
» SPECTRAL SENSITIVITY



— Human Eye
— LDF+

The adjacent graph shows the sensitivity curve of the human eye - also known as the V-lambda curve - and the spectral sensitivity of an LDF + sensor. The human eye perceives radiation of about 400 to 700nm as light. At about 555nm, the eye is most sensitive.

» DIMENSIONS (IN.)



» ACCESSORIES (INCLUDED IN DELIVERY)

- Mounting base
- Mounting kit universal
- Cover screw + screw cover • 2 Rawlplugs • 2 Screws (countersunk head) • 2 Screws (rounded head)

Item No. 631228
Item No. 698511

» ACCESSORIES (OPTIONAL)

- Bluetooth dongle
- Cable entry M25 USE white, sealing insert 4x Ø=0.28 in. (4 pcs)

Item No. 668262
Item No. 641364