

# AF25+ (LCD) RS485 BACnet

Contact temperature sensor

**thermokon**<sup>®</sup>  
HOME OF SENSOR TECHNOLOGY

## Datasheet

Subject to technical alteration  
Issue date: 06.02.2024 • A122



*The following illustrations show the version with LCD*

### » APPLICATION

Contact sensor with enclosure USE-M, connection cable and brass strap used to measure the surface temperature of pipes (cold or hot water) and other contact surfaces. LCD models with RGB background light have a transparent cover. Display configuration and threshold values for color changes can be parameterized via Thermokon USEapp. With the option board relay two-point controllers or a 2-stage 2-point controller for temperature can be realized. Tightening strap/tension clamp and thermal contact fluid are available as accessories.

### » TYPES AVAILABLE

Contact sensors temperature, optional with display – active RS485 BACnet MS/TP

- AF25+ (LCD) RS485 BACnet

### » SECURITY ADVICE – CAUTION

The installation and assembly of electrical equipment should only be performed by authorized personnel.



The product should only be used for the intended application. Unauthorised modifications are prohibited! The product must not be used in relation with any equipment that in case of a failure may threaten, directly or indirectly, human health or life or result in danger to human beings, animals or assets. Ensure all power is disconnected before installing. Do not connect to live/operating equipment.

Please comply with

- Local laws, health & safety regulations, technical standards and regulations
- Condition of the device at the time of installation, to ensure safe installation
- This data sheet and installation manual

### » PRODUCT TESTING AND CERTIFICATION



#### Declaration of conformity

The declaration of conformity of the products can be found on our website  
<https://www.thermokon.de/direct/en-gb/categories/af25plus>

### » NOTES ON DISPOSAL



The crossed-out wheeled bin symbol indicates that the product or removable batteries must not be disposed of with household or commercial waste. Within the EU, you are legally obliged to dispose of the product separately and appropriately in accordance with the national laws of your country. Alternatively, please contact your supplier or Thermokon Sensortechnik GmbH. Further information can be found at: [www.thermokon.com](http://www.thermokon.com)

## » BUILD-UP OF SELF-HEATING BY ELECTRICAL DISSIPATIVE POWER

Sensors with electronic components always have a dissipative power, which affects the temperature measurement of the ambient air. The dissipation in active temperature sensors shows a linear increase with rising operating voltage. This dissipative power has to be considered when measuring temperature. In case of a fixed operating voltage ( $\pm 0,2$  V) this is normally done by adding or reducing a constant offset value.

Thermokon transducers can be operated with variable operating voltages. The transducers are set at the factory with a reference operating voltage of 24 V =.

At this voltage, the expected measuring error of the output signal will be the least. Other operating voltages, can cause a measurement deviation changing power loss of the sensor electronics.

A recalibration can be carried out directly on the unit or via a software variable (app or bus).

**Remark: Occurring draught leads to a better carrying-off of dissipative power at the sensor. Thus temporally limited fluctuations might occur upon temperature measurement.**

## » USE ENCLOSURE WITH UV AND WEATHER RESISTANCE

After some time, outdoor mounted plastics can lose their color and quality. Therefore, all USE housings are made of special white polycarbonate (PC). The light-stable colorants and additives are used to achieve optimum protection of the polymer while maintaining color stability. The titanium dioxide used is specially developed for polycarbonate and offers excellent UV protection through the reflection of the entire light spectrum including the UV component by 340 nm. This effectively counteracts the otherwise occurring photochemical polymer degradation. The colors stay full for a long time without fading. The material is also resistant to cold and frost.

## » TECHNICAL DATA

Measuring values	temperature		
Output voltage	0..10 V or 0..5 V, min load 10k $\Omega$ (live-zero configuration via Thermokon USEapp)		
Network technology	RS485 BACnet MS/TP, <b>Fail-safe Biasing required</b>		
Power supply	15..35 V = or 19..29 V ~ SELV <i>With alternating voltage, the correct polarity must be ensured</i>		
Power consumption	max. 2,3 W (24 V =)   max. 4,3 VA (24 V ~)		
Output signal range temp. <i>*Scaling analogue output</i>	default setting: -20..+80 °C selectable from 8 temperature ranges -50..+50   -20..+80   -15..+35   -10..+120   0..+50   0..+100   0..+160   0..+250 °C, optionally configurable via Thermokon USEapp or BUS		
Operating temperature range <i>* Max. permissible operating temperature</i>	<b>sensor pocket</b> -50..+135 °C	<b>enclosure</b> -35..+70 °C	<b>mounting base</b> -35..+90 °C
Accuracy temperature	$\pm 0,5$ K (typ. at 21 °C)		
Display <i>*optional</i>	LCD 29x35 mm with RGB backlight		
Enclosure	enclosure USE-M, PC, pure white, cover PC, transparent, with removable cable entry		
Protection	IP65 according to EN 60529		
Cable entry	M25, for wire max. $\varnothing=7$ mm, seal insert for fourfold cable entry		
Connection electrical	<b>Mainboard</b> removable plug-in terminal, max. 2,5 mm <sup>2</sup>	<b>Plug-in card</b> removable plug-in terminal, max. 1,5 mm <sup>2</sup>	
Pocket	brass, $\varnothing=6$ mm, mounting length 35 mm, standard cable length 1000 mm, additional cable lengths on request		
Ambient condition	max. 85% rH short term condensation		
Mounting	installation possible in or across the direction of the pipe		

*When several BUS devices are supplied by one 24 V AC voltage supply, it is to be ensured that all "positive" operating voltage input terminals (+) of the field devices are connected and all "negative" operating voltage input terminals (-) (=reference potential) are connected (in-phase connection of field devices). In the case of reversed polarity at one field device, a supply voltage short-circuit would be caused by that device.*

**The consequential short-circuit current flowing through this field may cause damage to it. Therefore, pay attention to correct wiring.**

» CONFIGURATION



The Thermokon bluetooth dongle with micro-USB (Item No.: 668262) is required for communication between USEapp and USE-M / USE L products. Commercial bluetooth dongles are not compatible.



Application-specific reconfiguration of the devices can be carried out using the Thermokon USEapp. The configuration is carried out in the voltage-supplied state.



The configuration-app and the app description can be found in the Google Play Store or in the Apple App Store.

» APPLICATION NOTICE

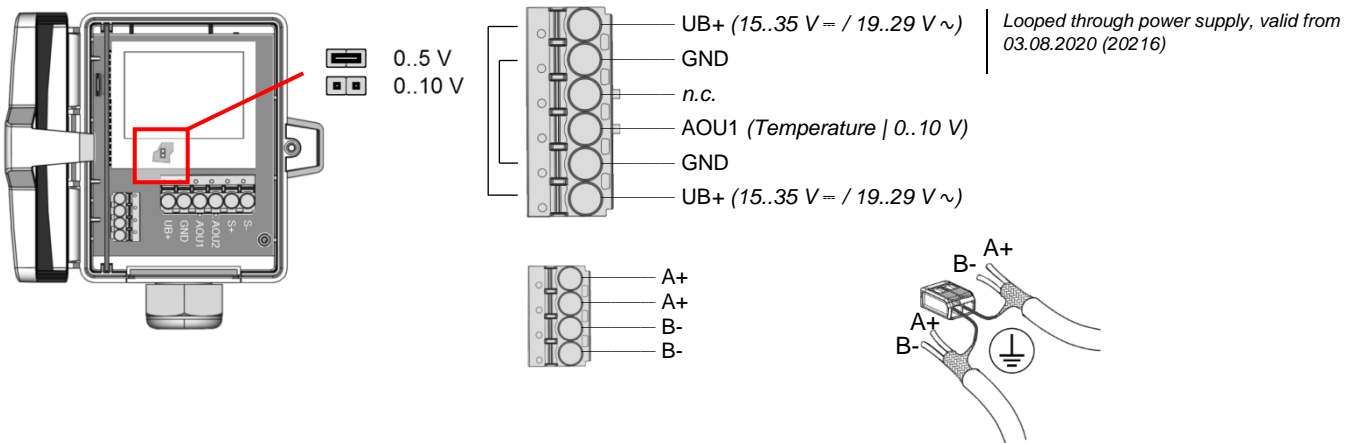


The Bluetooth dongle snaps into the socket easily. When removing, please fix the plug-in card (option PCB) so that it is not unintentionally pulled out.

» CONNECTION PLAN

To change the output voltage range (default 0..10 V to 0..5 V) via jumper, the display must be removed from the board first. If the RS485 cable is looped through, connect both cable shields using the enclosed 2-pol. Connect terminal as shown.

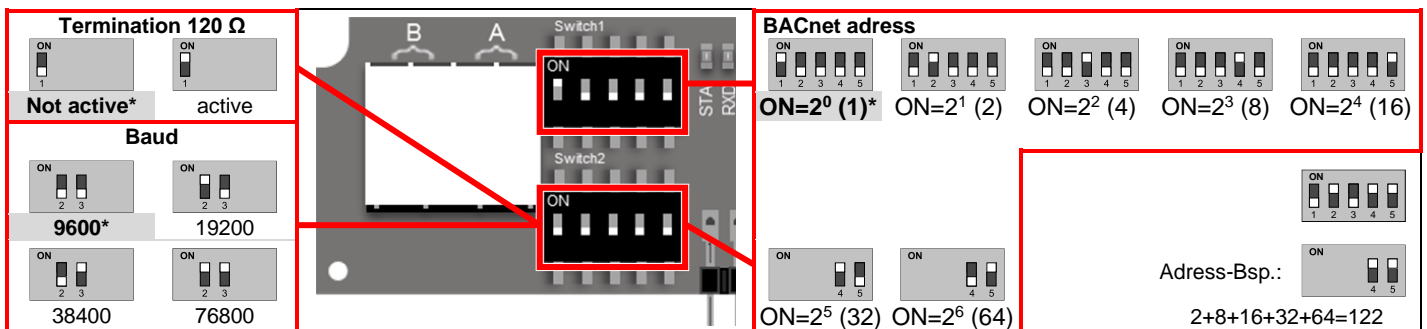
AF25+ (LCD) RS485



» DIP SWITCHES, PLUG-IN CARD

The BACnet address of the device is set binary coded in the range of 1 ... 127 via 7 dip-switches. (the address 0 is reserved and cannot be selected).

\*factory default settings

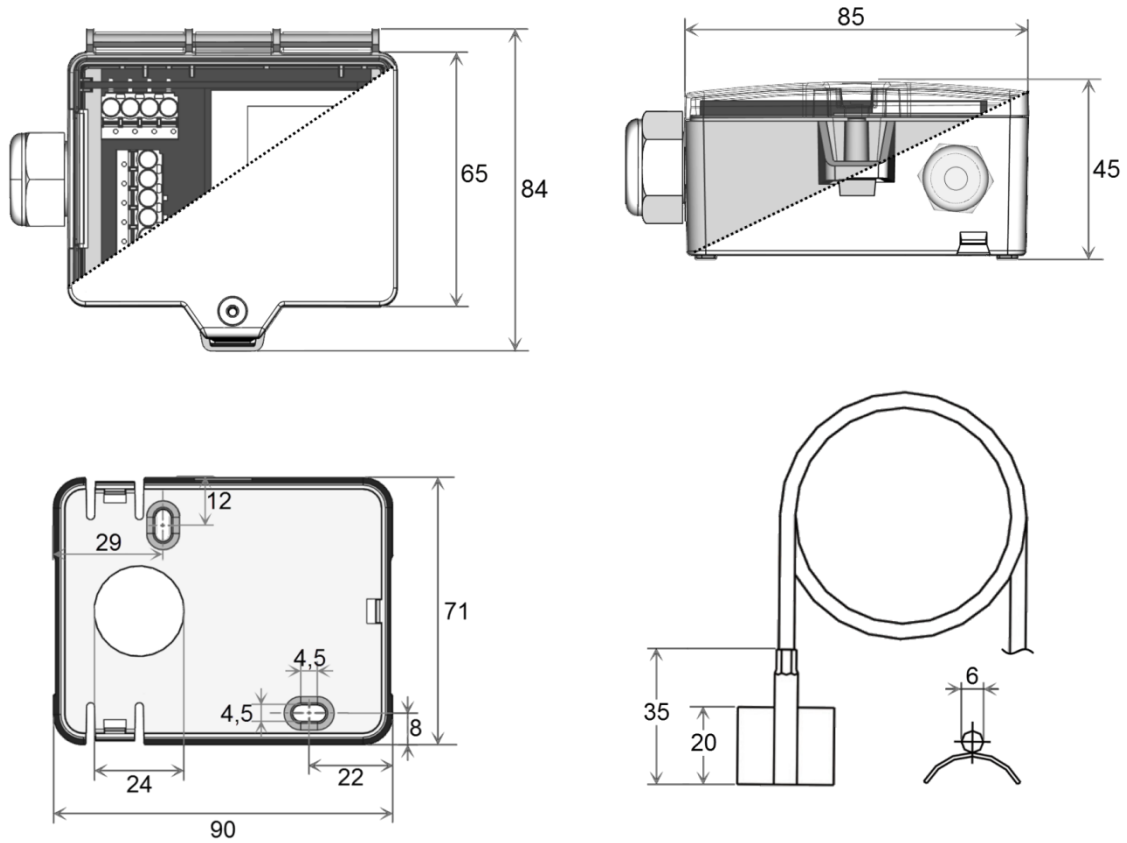


Address	Access	Description	Object AV-38 = 1 (Unit SI)		Object AV-38 = 2 (Unit Imperial)	
			COV increment / Unit	COV increment / Unit	COV increment / Unit	COV increment / Unit
AI-0	R	Temperature 1	0..+250 °C	°C	0..+480 °F	°F



**BACnet Objects, PICS and BIBBs:**  
 USE-RS485 BACnet interface  
 A detailed description of the BACnet interface can be found at the following link: [Download](#)

## » DIMENSIONS (MM)



## » ACCESSORIES (INCLUDED IN DELIVERY)

Mounting kit universal

• Cover screw + screw cover • 2 Rawplugs • 2 Screws (countersunk head) • 2 Screws (rounded head)

Item No. 698511

## » ACCESSORIES (OPTIONAL)

Bluetooth dongle

RS485 Biasing Adapter

USB Interface RS485 (incl. driver CD)

Item No. 668262

Item No. 811378

Item No. 668293

Tension clamp for pipes  $\varnothing$  up to 110 mm with contact fluid

Tension clamp for pipes  $\varnothing$  up to 250 mm with contact fluid

Tightening strap PA for pipes  $\varnothing$  up to 100 mm with contact fluid

Cable entry M25 USE white, sealing insert 4x  $\varnothing=7$  mm (4 pcs)

Item No. 658911

Item No. 648103

Item No. 668071

Item No. 641364