

# » PSU-HS24

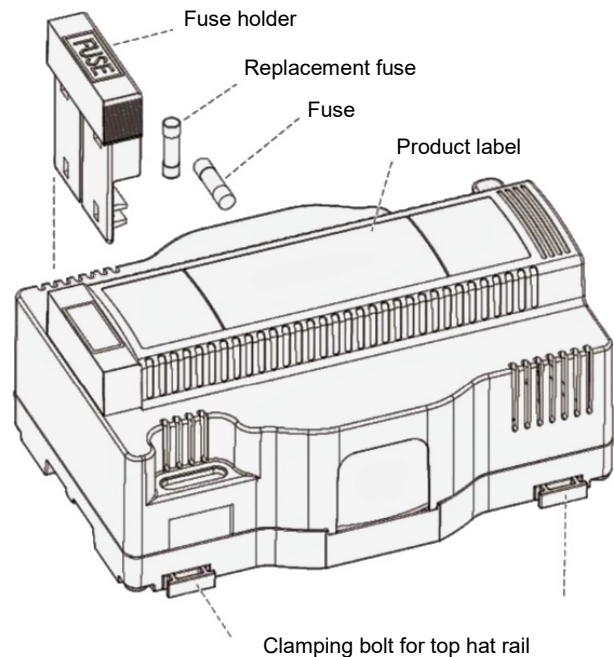
AC/AC DIN-rail transformer 150VA

## Datasheet

Subject to technical alteration  
Issue date: 02.09.2020 • A111

### » APPLICATION

Transformer for use in building automation, industrial automation, security technology, access control, sensor technology and video surveillance. The transformer has the installation dimensions of a distribution board and therefore fits into any small distribution board. Designed for mounting on DIN rails. Overload protection and short-circuit protection are ensured by a 6.3 A glass fuse (microfuse) in the secondary circuit and by a thermal switch in the primary circuit, which switches off at 150°C.



### » PRODUCT TESTING AND CERTIFICATION



#### Declaration of conformity

The declaration of conformity of the products can be found on our website  
<https://www.thermokon.de/>.

### » SECURITY ADVICE – CAUTION



The installation and assembly of electrical equipment should only be performed by authorized personnel.

The product should only be used for the intended application. Unauthorised modifications are prohibited! The product must not be used in relation with any equipment that in case of a failure may threaten, directly or indirectly, human health or life or result in danger to human beings, animals or assets. Ensure all power is disconnected before installing. Do not connect to live/operating equipment.

**CAUTION! Risk of electric shock due to live components within the enclosure, especially devices with mains voltage supply (usually between 90..265 V).**

Please comply with

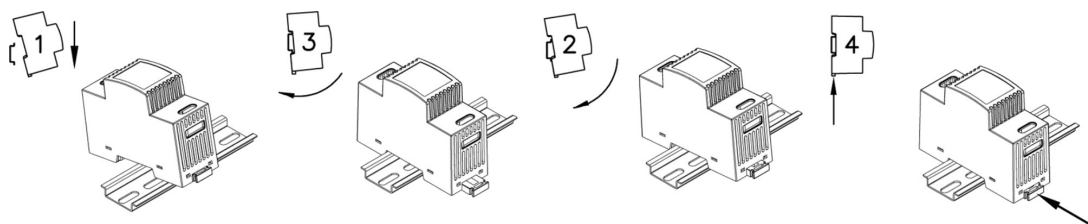
- Local laws, health & safety regulations, technical standards and regulations
- Condition of the device at the time of installation, to ensure safe installation
- This data sheet and installation manual

### » NOTES ON DISPOSAL



As a component of a large-scale fixed installation, Thermokon products are intended to be used permanently as part of a building or a structure at a pre-defined and dedicated location, hence the Waste Electrical and Electronic Act (WEEE) is not applicable. However, most of the products may contain valuable materials that should be recycled and not disposed of as domestic waste. Please note the relevant regulations for local disposal.

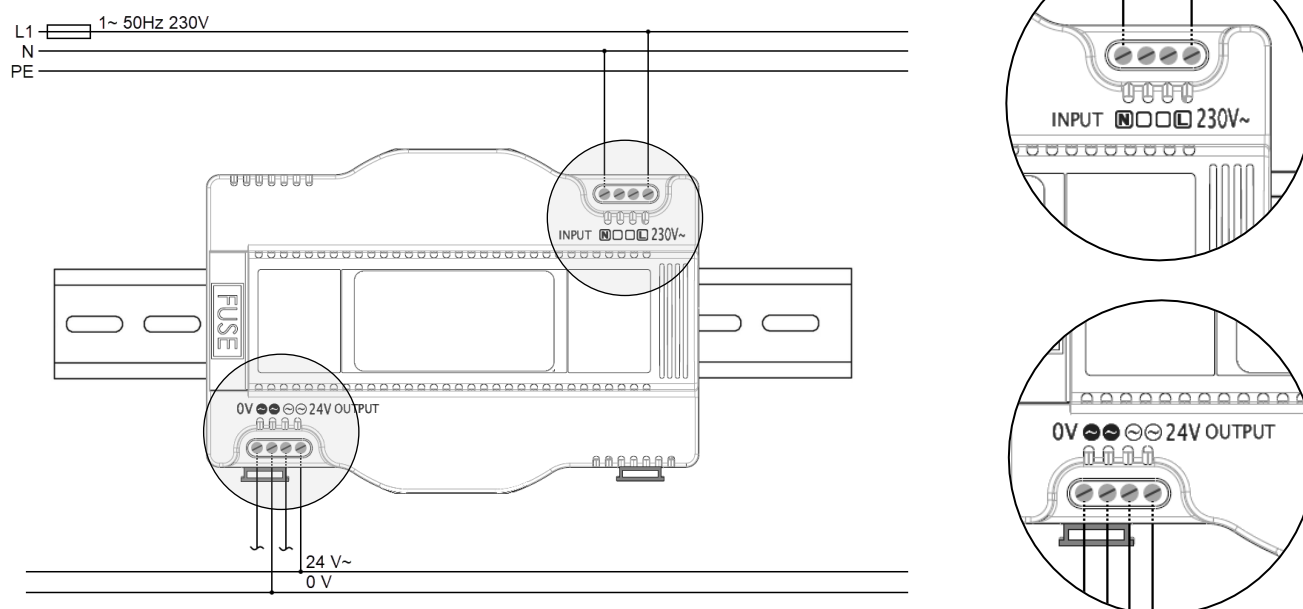
### » MOUNTING



## » TECHNICAL DATA

Primary nominal voltage	230 V ~ ( $\pm 10\%$ )
Secondary nominal voltage	24 V ~ (6,25 A) SELV, open-circuit voltage 26,3 V ~
Nominal power	150 VA
Power factor	$\cos \varphi = \min 0,99$ (typ. at $V_{in}$ 230 V, 25°C, 50Hz)
Mounting	DIN-rail (9 TE)
Dimensions	157,5 x 93 x 66 mm
Operating frequency	48 - 63 Hz
Ambient condition	-5..+40 °C, max. 95% rH, non-condensing
Protection class	II, IP20
Insulation class	B according to DIN EN 60085
Safety standards	EN61558-1; EN55032(cl.B); EN55024; EN61000-3-2; EN61000-3-3; EN50581; RoHS
EMC standards	EN55032/B – EN55024

## » CONNECTION PLAN



## » DIMENSIONS (MM)

